
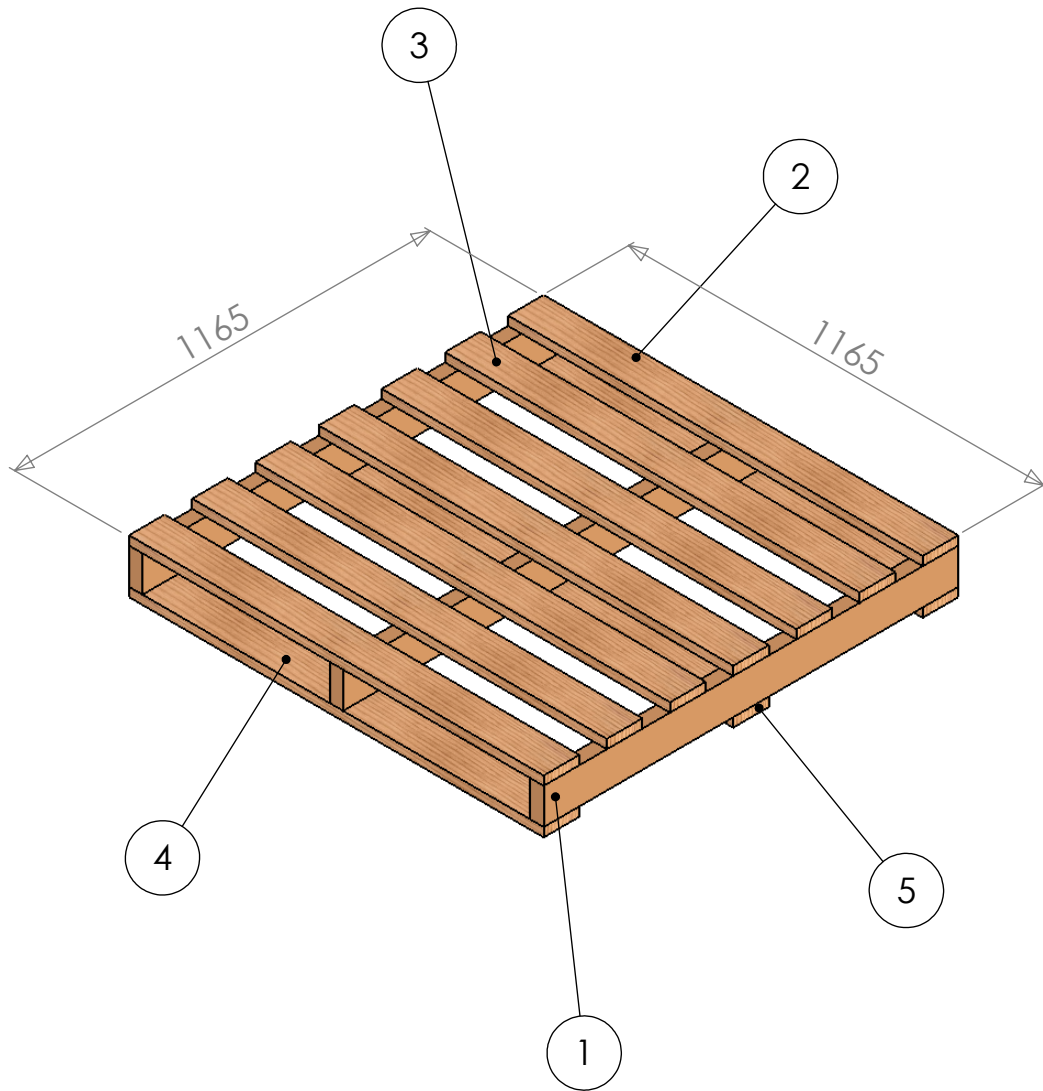


# CMTP - Standard Pallet

## Heavy Duty

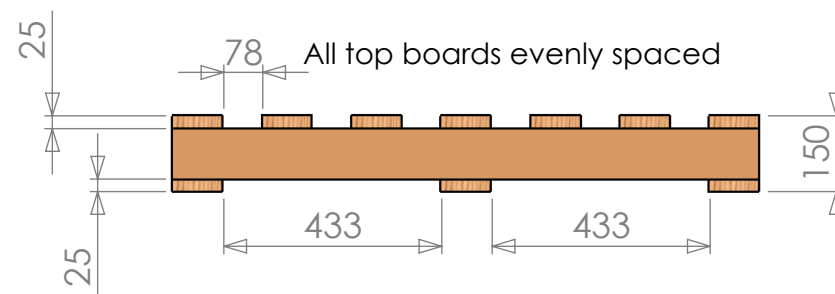
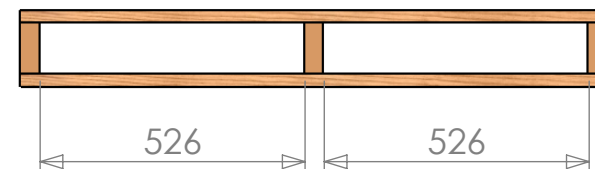
1165 x 1165mm

Customer: CMTP		Ref No. CMTP H/Duty	
Scale: 1:15	 Measurements in mm	Drawn By: P Bailey	
		Date 27/02/15	PAGE 1 OF 2



Parts List			
Part No	Description	Size	Qty
1	Bearer	100 x 38 x 1165	3
2	Top Lead	100 x 25 x 1165	2
3	Top Centre	100 x 25 x 1165	5
4	Bottom Lead	100 x 25 x 1165	2
5	Bottom Centre	100 x 25 x 1165	1

Note: Pallet assembled using 57mm screw shank nails  
 Finished pallet is for domestic use.



*This design remains the property of CMTP and is for the purpose of quoting and must not be provided to a third party without the written authority of CMTP.*

