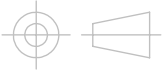
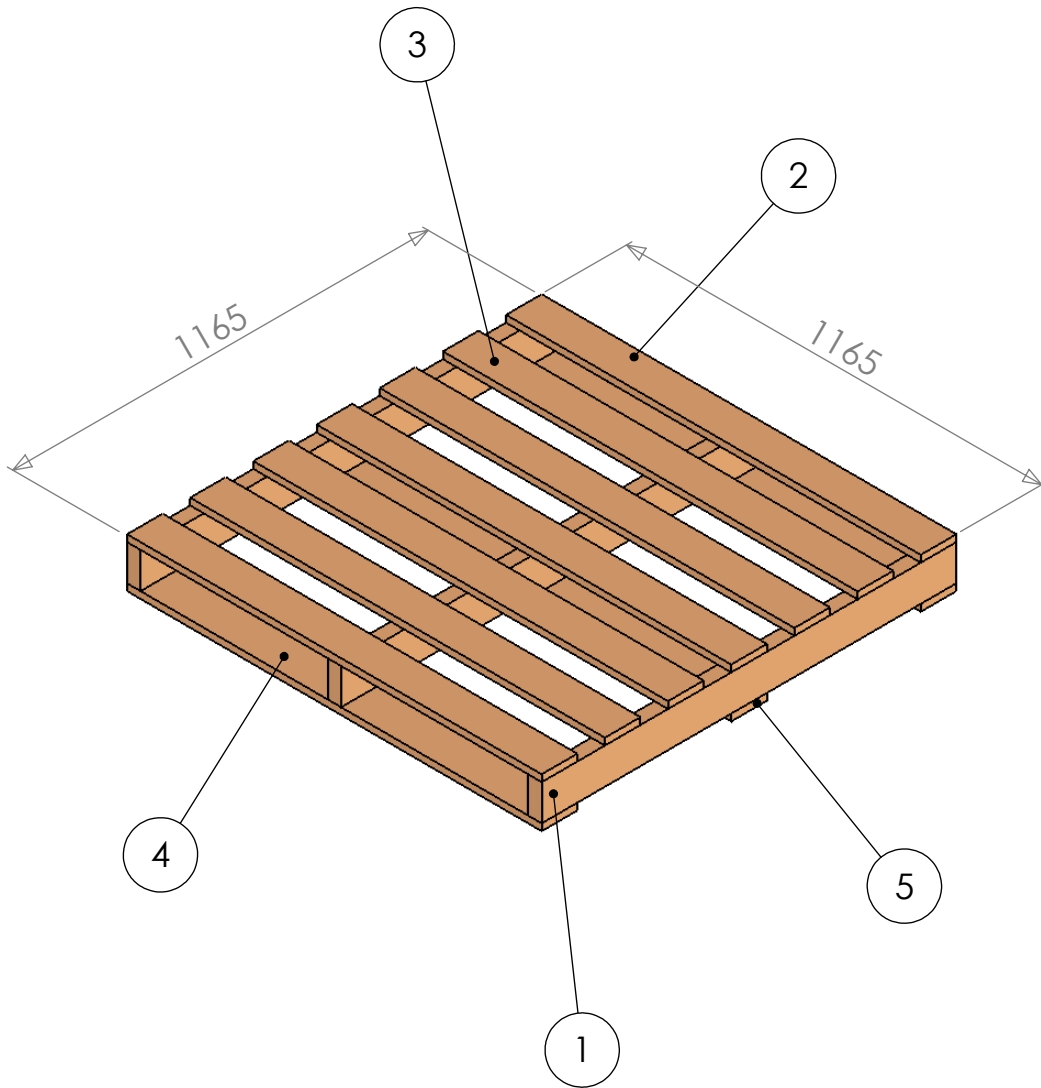


CMTP - Standard Pallet

Medium Duty

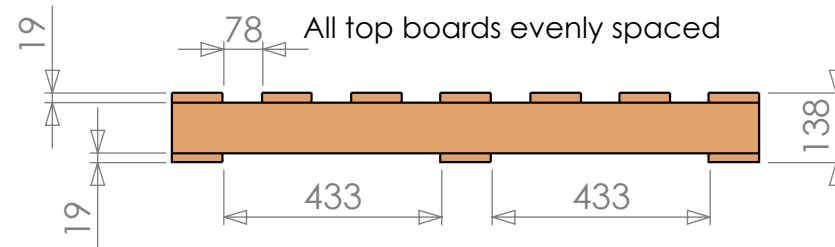
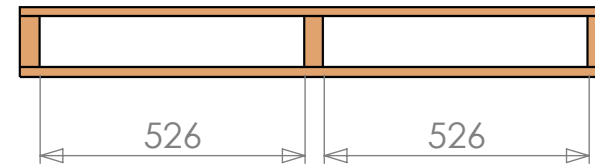
1165 x 1165mm

Customer: CMTP		Ref No. CMTP M/Duty	
Scale: 1:15	 Measurements in mm	Drawn By: P Bailey	
		Date 27/02/15	PAGE 1 OF 2



Parts List			
Part No	Description	Size	Qty
1	Bearer	100 x 38 x 1165	3
2	Top Lead	100 x 19 x 1165	2
3	Top Centre	100 x 19 x 1165	5
4	Bottom Lead	100 x 19 x 1165	2
5	Bottom Centre	100 x 19 x 1165	1

Note: Pallet assembled using 57mm screw shank nails
Finished pallet is for domestic use.



This design remains the property of CMTP and is for the purpose of quoting and must not be provided to a third party without the written authority of CMTP.